

ROGOZ AUDIO ANTI-VIBRATION SPEAKER STANDS

Rogoz Audio manufactures specialist anti-vibration furniture: audio stands, speaker stands, and platforms. Our offer is aimed primarily at audiophiles, music lovers, and music business professionals, as well as all those who appreciate high quality of sound and design. Our ultimate goal is creating products eliminating interference between audio components to make it possible for every audio system to reach its maximum effectiveness so that the listeners will enjoy the best possible sound quality.

The furniture and anti-vibration accessories are designed for top quality audio components. A whole structure has been tuned by means of special blending of alloy steel and high carbon content steel. Decoupling and high-precision leveling is achieved by means of adjustable anti-vibration spikes. Some furniture incorporates soft anti-vibration pads to separate parts of the overall structure.

A unique feature of our company is extreme flexibility. A regular price allows for certain modifications, and as a result each product is manufactured on a made-to-order basis. Major alterations of our standard products are also possible and are priced individually. Possible changes in standard patterns involve:

- all sizes
- the kind of frames of audio and speaker stands
- the kind of tops and shelves of audio stands
- the shape of speaker stand tops
- the kind of decoupling

ROGOZ AUDIO ANTI-VIBRATION SPEAKER STANDS

Single-support speaker stands designed for top quality speakers. Shelf shape can be adjusted to match any speakers of your choice. It is enough for you to draw and send in an outline of the base of your speakers (if they are not cuboidal). The design makes it possible to fill the support with ballast or to pull a lead through it. The stands consist of extra-strong legs made of carbon steel S235JR (which is used for load-bearing structures subject to heavy dynamic load, e.g. in cranes) and thick shelves made from 8 mm higher-strength alloy steel S355. Screw-top inlets M12 and M20 enable the legs to be filled with ballast (quartz sand, shot, or conglomerate) or to conceal loudspeaker wires.



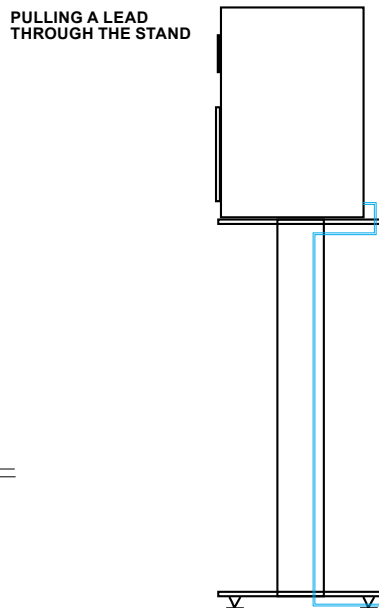
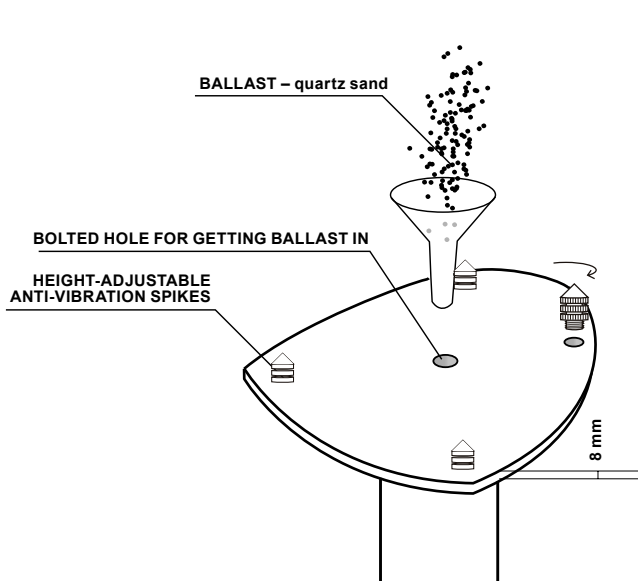
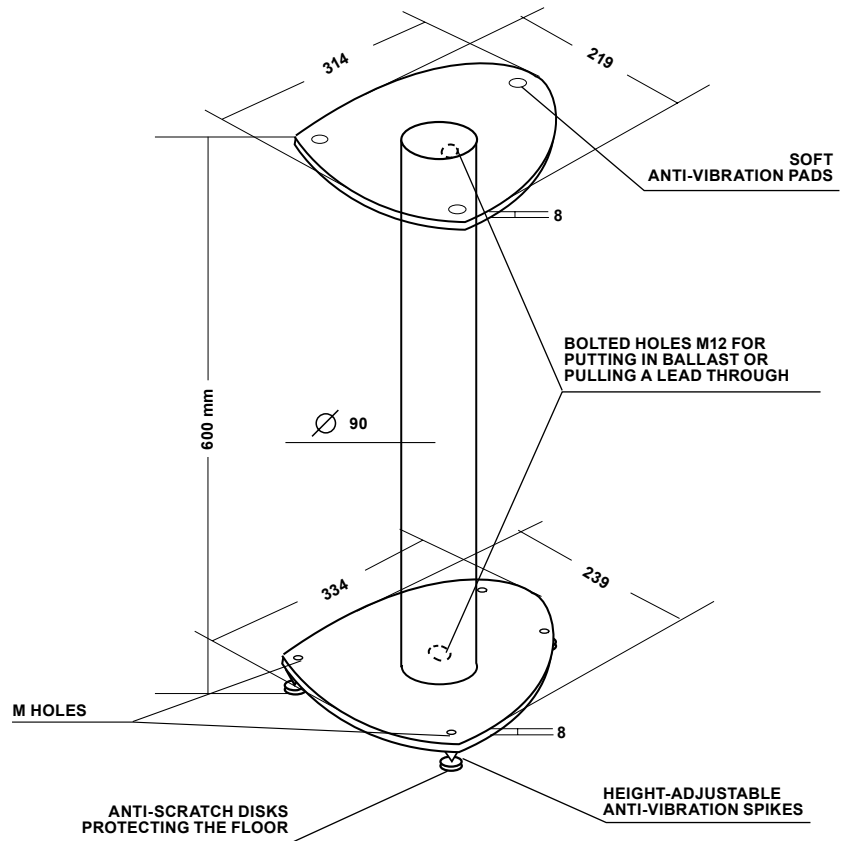
TECHNICAL SPECIFICATIONS:

- Color: white (glossy)
- Height: 600 mm
- Weight of a single stand: ca. 14 kg without ballast, up to 20 kg with ballast
- Leg profile: steel pipe (90 mm)
- Top shelf: metal plate 314 x 219 x 8 mm
- Bottom shelf: metal plate 334 x 239 x 8 mm
- Recommended speaker weight: up to 35 kg
- Maximum load (for one stand): 150 kg

SET CONTENTS:

One set consists of two stands. Each stand contains:

- 2 bolts to close the ballast chamber (optionally, the chamber might be filled with sand or be used to pull through a lead)
- 3 soft anti-vibration pads for the top shelf
- 4 height-adjustable anti-vibration spikes for the bottom shelf
- 4 anti-scratch disks protecting the floor.



ROGOZ AUDIO ANTI-VIBRATION SPEAKER STANDS



Quadruple-support speaker stands, with individually defined size specifications, designed for high quality speakers (including all Harbeth models). The stands consist of extra-strong legs made of carbon steel S235JR (which is used for load-bearing structures subject to heavy dynamic load, e.g. in cranes), which have been connected by means of two techniques (TIG and muffling glueing) to thick shelves made from 8 mm higher-strength alloy steel S355.

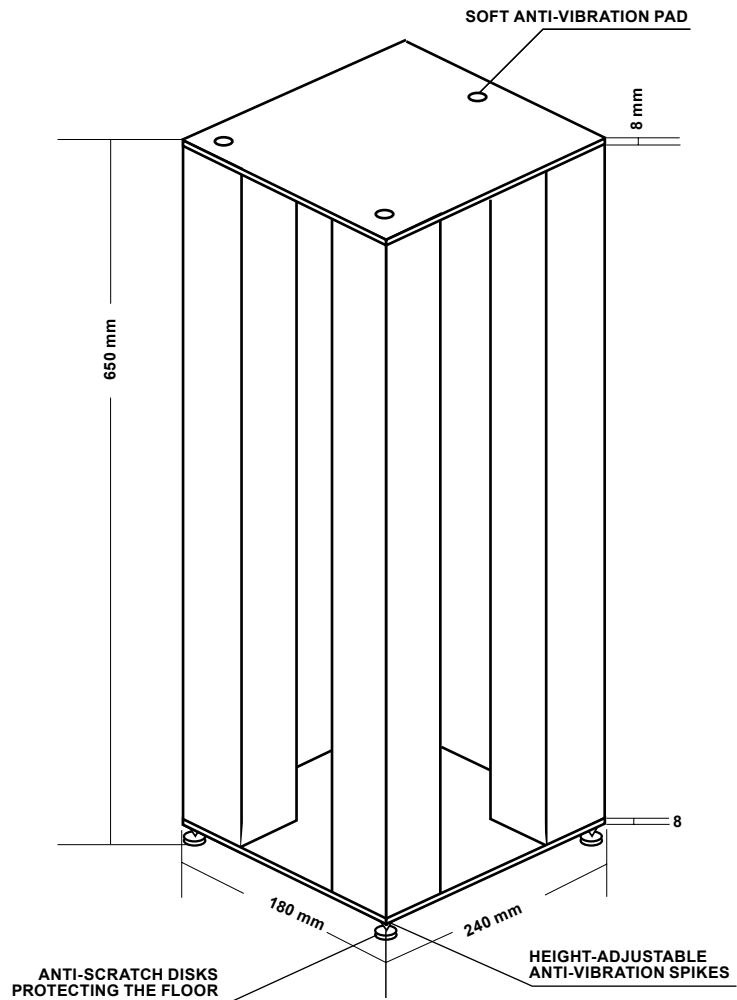
TECHNICAL SPECIFICATIONS:

- Color: black (matt, fine grain)
- Height: 650 mm
- Weight of a single stand: ca. 25 kg without ballast, up to 40 kg with ballast
- Legs: 4 steel profiles 80/80 mm
- Top shelf: metal plate 180 x 240 x 8 mm
- Bottom shelf: metal plate 180 x 240 x 8 mm
- Recommended speaker weight: up to 130 kg
- Maximum load (for one stand): 300 kg

SET CONTENTS:

One set consists of two stands. Each stand contains:

- 4 bolts to close the ballast chamber (optionally, the chamber might be filled with quartz sand)
- 3 soft anti-vibration pads for the top shelf
- 4 height-adjustable anti-vibration spikes for the bottom shelf
- 4 anti-scratch disks protecting the floor.



BOTTOM VIEW

