

ROGOZ AUDIO ANTI-VIBRATION AUDIO PLATFORMS

Rogoz Audio manufactures specialist anti-vibration furniture: audio stands, speaker stands, and platforms. Our offer is aimed primarily at audiophiles, music lovers, and music business professionals, as well as all those who appreciate high quality of sound and design. Our ultimate goal is creating products eliminating interference between audio components to make it possible for every audio system to reach its maximum effectiveness so that the listeners will enjoy the best possible sound quality.

The furniture and anti-vibration accessories are designed for top quality audio components. A whole structure has been tuned by means of special blending of alloy steel and high carbon content steel. Decoupling and high-precision leveling is achieved by means of adjustable anti-vibration spikes. Some furniture incorporates soft anti-vibration pads to separate parts of the overall structure.

A unique feature of our company is extreme flexibility. A regular price allows for certain modifications, and as a result each product is manufactured on a made-to-order basis. Major alterations of our standard products are also possible and are priced individually. Possible changes in standard patterns involve:

- all sizes
- the kind of frames of audio and speaker stands
- the kind of tops and shelves of audio stands
- the shape of speaker stand tops
- the kind of decoupling

ROGOZ AUDIO ANTI-VIBRATION PLATFORM

TECHNICAL DESCRIPTION

- Weight: 22 kg
- Total height: 43 mm
- Platform thickness: 16 mm
- Overall width: 550 mm (usable: 450 mm)
- Overall depth: 450 mm (usable: 350 mm)
- Maximum load: up to 150 kg



AUDIO

WERDYKT CPPB16

DŹWIĘK ★★★★☆	o ZA Wygląd, solidne wykonanie, powolny wpływ na dźwięk, wzmocnienie – może być stosowane do najdroższych kam-poneńców, a także kolumn.
MOŻLIWOŚCI ★★★★☆	o PRZECIW Ograniczony efekt.
BUDOWA ★★★★☆	
JAKOŚĆ/CENA ★★★★☆	

PODSUMOWANIE
Solidny kawał „styczeński” srebro pozytywnie wpływający na jakość brzmienia – czego chcieć więcej?

HI-FI CHOICE
OCENA OGÓLNA ★★★★★

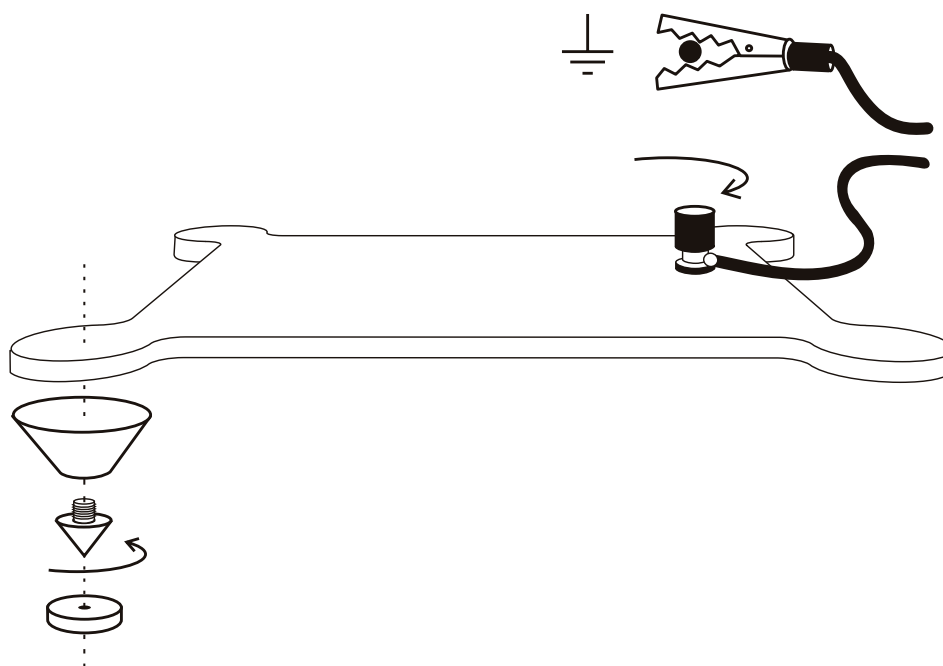
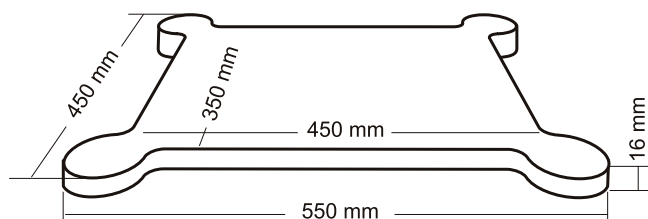
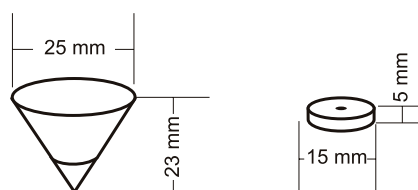
A COMPLETE SET INCLUDES:

- 1 alloy steel platform
- 4 adjustable spikes
- 4 separating disks
- 1 earth wire with connectors
- 1 bolt to hold the ground wire in place

Steel anti-vibration and shielding platform with ground connection.

APPLICATIONS

- Power amplifiers
- Integrated amplifiers
- Preamplifiers
- CD players
- Analog gramophones
- Loudspeakers



ROGOZ AUDIO ANTI-VIBRATION PLATFORM

TECHNICAL DESCRIPTION

- Overall height: 170 mm
- Overall width: 550 mm
- Overall depth: 450 mm
- Leg profile: steel pipes Ø80 mm
- Platform top: 550 x 450 x 40
- Maximum load: up to 150 kg
- Ballast: quartz sand

High Fidelity
miałęcznik hi-fi, hi-end od 2004.



A COMPLETE SET INCLUDES:

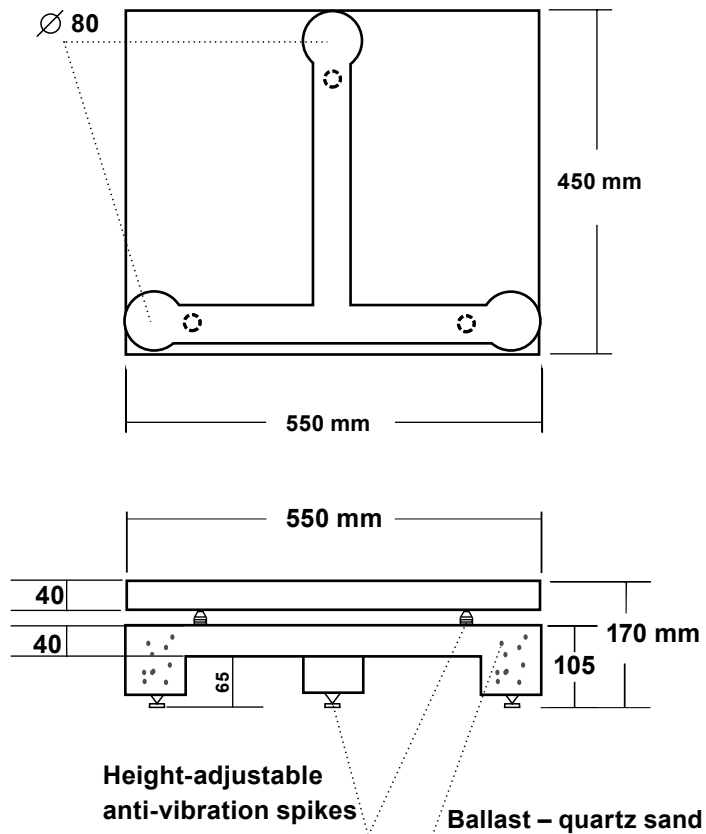
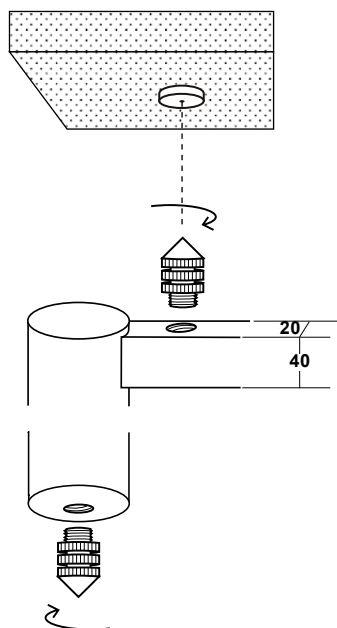
- 1 steel frame
- 1 platform top (MDF and wood veneer)
- 6 adjustable spikes
- 3 separating disks
- 3 massive anti-scratch disks protecting the floor

Three-legged platform. The legs contain quartz sand as ballast. The frame color: black (matt, fine grain). The 40 mm thick top is made of wood (MDF), covered in natural wood veneer (walnut).

Anti-vibration platforms are designed for high end audio components. The frame has been tuned by a suitable combination of alloy steel and high-fiber content steel. The frame consist of extra-strong legs made of carbon steel S235JR (which is used for load-bearing stuctures subject to heavy dynamic load, e.g. in cranes) connected by crosspieces made from higher-strength alloy steel S355. Adjustable anti-vibration spikes are used for for high-precision leveling.

APPLICATIONS

- CD players;
- Analog gramophones
- Power amplifiers
- Integrated amplifiers
- Preamplifiers
- Loudspeakers



ROGOZ AUDIO ANTI-VIBRATION PLATFORM

TECHNICAL DESCRIPTION

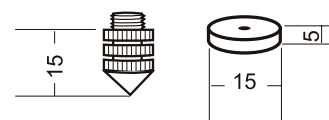
- Weight: 5,8 kg
- Overall height: 60 mm
- Top thickness: 40 mm
- Overall width: 492 mm
- Overall depth: 420 mm
- Maximum load: up to 100 kg



A COMPLETE SET INCLUDES:

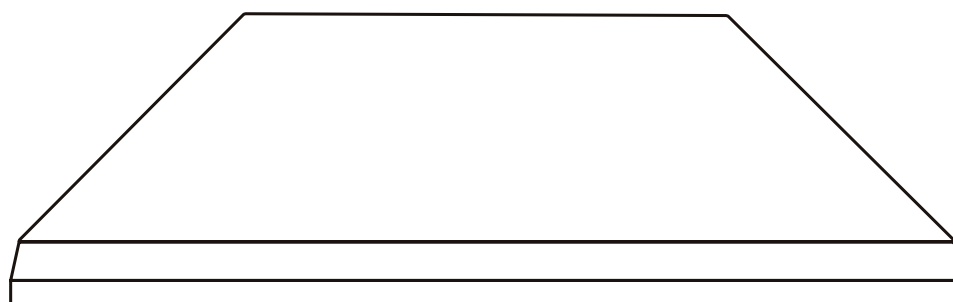
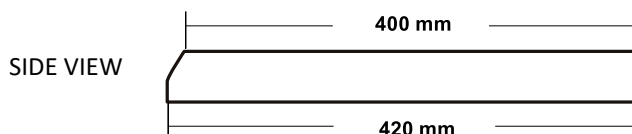
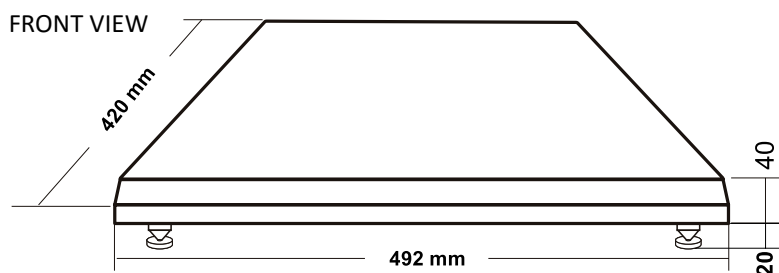
- 1 platform top (plywood, MDF, and wood veneer)
- 4 height-adjustable spikes
- 4 separating disks

Anti-vibration platform with „sandwich” structure: plywood, MDF, and sapeli mahogany wood veneer.



APPLICATIONS

- CD players
- Analog gramophones
- Power amplifiers
- Integrated amplifiers
- Preamplifiers
- Loudspeakers



ROGOZ AUDIO ANTI-VIBRATION PLATFORM

TECHNICAL DESCRIPTION

- Overall height: 180 mm
- Overall width: 550 mm
- Overall depth: 450 mm
- Leg profile: steel pipes $\varnothing 80$ mm
- Platform top: 550 x 450 x 50 mm
- Maximum load: up to 150 kg
- Ballast: quartz sand



A COMPLETE SET INCLUDES:

- 1 steel frame
- 1 platform top (MDF and wood veneer)
- 4 adjustable spikes
- BBS under the shelf
- 3 massive anti-scratch disks protecting the floor

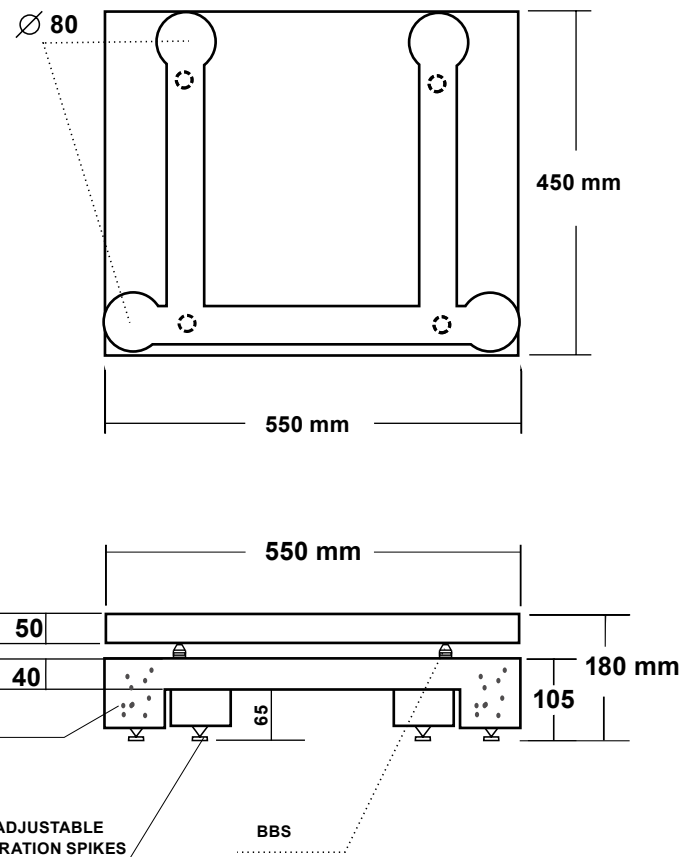
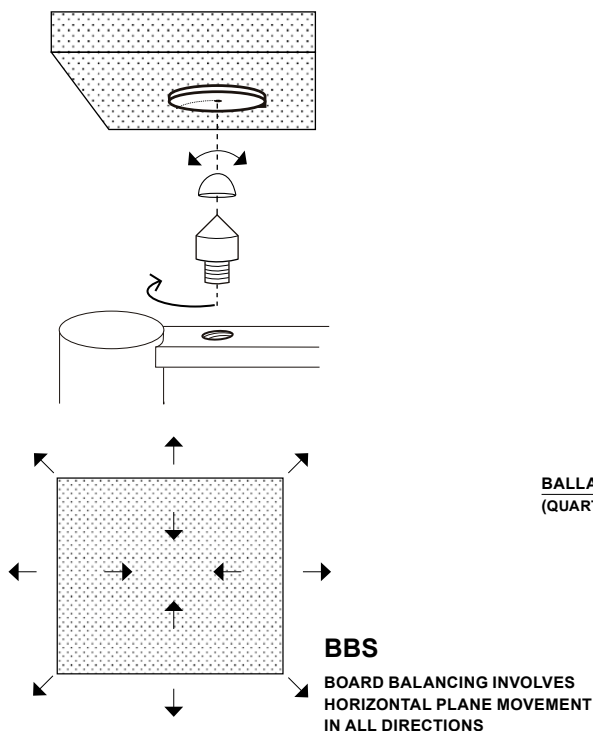
Four-legged platform. The legs contain quartz sand as ballast. The 50 mm thick top is made of wood (MDF), covered in natural wood veneer (rosewood).

The shelf is separated from the stand frame by the Balancing Board System. BBS has kinematic and dynamic qualities which enable isolated masses to "float" to the sides relative to the system axis, maintaining point support at the same time. BBS also makes it possible to level the stand shelves.

Anti-vibration platforms are designed for high end audio components. The frame has been tuned by a suitable combination of alloy steel and high-fiber content steel. The frame consist of extra-strong legs made of carbon steel S235JR (which is used for load-bearing stuctures subject to heavy dynamic load, e.g. in cranes) connected by crosspieces made from higher-strength alloy steel S355. Adjustable anti-vibration spikes are used for for high-precision leveling.

APPLICATIONS

- CD players;
- Analog gramophones
- Power amplifiers
- Integrated amplifiers
- Preamplifiers
- Loudspeakers



ROGOZ AUDIO ANTI-VIBRATION PLATFORM

TECHNICAL DESCRIPTION

- Overall height: 165 mm;
- Overall width: 613.7 mm;
- Overall depth: 702.1 mm;
- Top shelf: 613.7 x 702.1 x 70 mm;
- Bottom shelf: 613.7 x 702.1 x 80 mm;
- Weight: 40 kg (190 kg including TAD R1 speaker);
- Maximum load: up to 200 kg.



A COMPLETE SET INCLUDES:

- 1 top shelf (MDF/HDF);
- 1 bottom shelf (MDF/HDF);
- 3 handles (INOX);
- 6 BBS sets.

Anti-vibration platform 6T2R1/BBS has been designed for TAD Reference One loudspeaker. It is black with semi-matte finish. The platform consists of two shelves 80 and 70 mm thick, respectively, separated from each other at six points by BBS. The Balancing Board System (BBS) has kinematic and dynamic qualities which enable isolated masses to “float” to the sides relative to the system axis, maintaining point support at the same time. BBS also makes it possible to level the platform. The underside of the bottom shelf can be ordered in either of the following two versions:

APPLICATIONS

The platform is designed for TAD Reference One speaker. On request, it can be altered to fit other audio equipment:

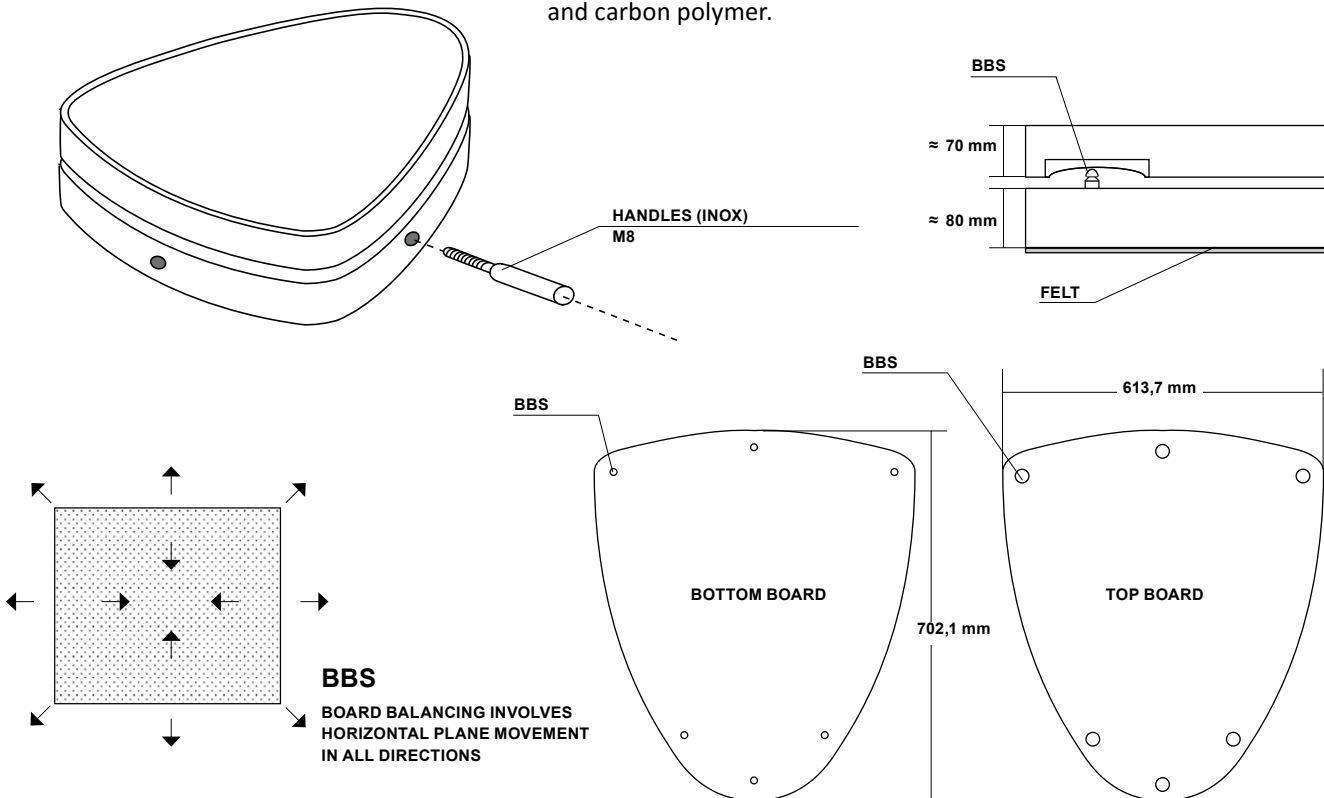
- CD players;
- analog gramophones;
- power amplifiers;
- integrated amplifiers;
- preamplifiers;
- other loudspeakers.

(a) backed with a thick layer of felt, enabling the platform with a loudspeaker to slide across the smooth surface of the floor (for your convenience, three specially designed handles can be driven into the sockets situated on the sides of the bottom shelf);

(b) fitted with six adjustable spikes and massive protective disks, enabling the platform to be placed firmly on soft or rough and coarse surfaces.

The anti-vibration platform 6T2R1/BBS can be customized (on request) to fit any speaker, amplifier, gramophone, CD/DVD/Blu-ray player or other audio equipment.

The platform is designed for high end audio components. Its structure has been tuned by a suitable combination of MDF, HDF, steel components (INOX, A10X, NZ3), and carbon polymer.



ROGOZ AUDIO ANTI-VIBRATION PLATFORM

TECHNICAL DESCRIPTION

- Overall height: 142 mm
- Overall width: 600 mm
- Overall depth: 460 mm
- Leg profile: 165 x 60 mm
- Usable shelf: 460 x 460 x 30 + 30 mm
- Maximum load: up to 100 kg



A COMPLETE SET INCLUDES:

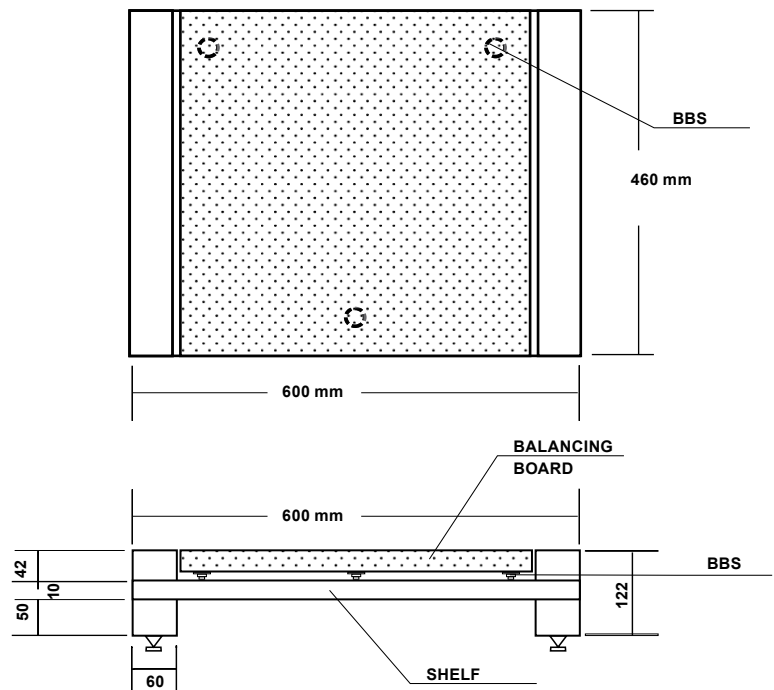
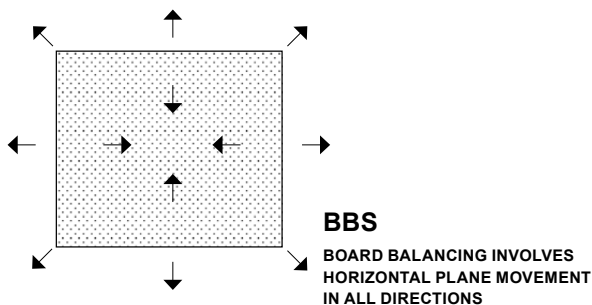
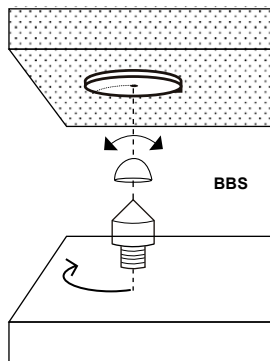
- 1 platform
- 4 height-adjustable spikes
- BBS between shelves
- 4 massive anti-scratch disks protecting the floor

Anti-vibration platform with „sandwich” structure. Double shelves 2 x 30 mm thick are separated by BBS. BBS has kinematic and dynamic qualities which enable isolated masses to “float” to the sides relative to the system axis, maintaining point support at the same time. BBS also makes it possible to level the stand shelves. Anti-vibration stands are designed for high end audio components.

The audio platform structure incorporates a new proprietary Rogoz Audio antivibration system, BBS (Balancing Board System, Patent P.404137 Pending). The system consists of a threaded, height-adjustable spike made of high-fiber-content steel alloy, on top of which two elements are placed, each with an inner bearing. An intermediary (middle) element is made of carbon fiber and supports another element, a steel bearing inserted into the shelf. Point contact between the steel spike and the carbon intermediary element prevents movement of either element relative to its axis, but it allows pendular motion. Meanwhile, the contact between the intermediary element and the bearing inserted into the shelf allows restricted rolling motion and sliding motion. Consequently, the advantages of spike point support (contact area has been minimized and kinetic energy turns into heat) have been combined with the effects of deadening vibrations owing to sliding friction and rolling resistance.

APPLICATIONS

- CD players;
- Analog gramophones
- Power amplifiers
- Integrated amplifiers
- Preamplifiers
- Loudspeakers



ROGOZ AUDIO ANTI-VIBRATION PLATFORM

TECHNICAL DESCRIPTION

- Overall height: - 70 mm;
- Overall width: - 147 mm;
- Overall depth - 130 mm;
- Top shelf: - 147 x 130 x 30 mm;
- Bottom shelf - 147 x 130 x 25 mm;



A COMPLETE SET INCLUDES:

- 1 platform
- BBS between shelves

The platform consists of two sandwich-type shelves, 30 and 25 mm thick, separated from each other at three points by BBS (Balancing Board System). The top of the platform is made of ash wood with glossy piano finish, which - depending on a customer's request - can be further darkened or colored (the photo shows "tineo indian apple" finish). The bottom shelf has black piano gloss finish.

Kinematic and dynamic properties of BBS enable isolated masses to 'float' sideways relative to the system axis, maintaining point support at the same time. Furthermore, BBS makes it possible to level the platform.

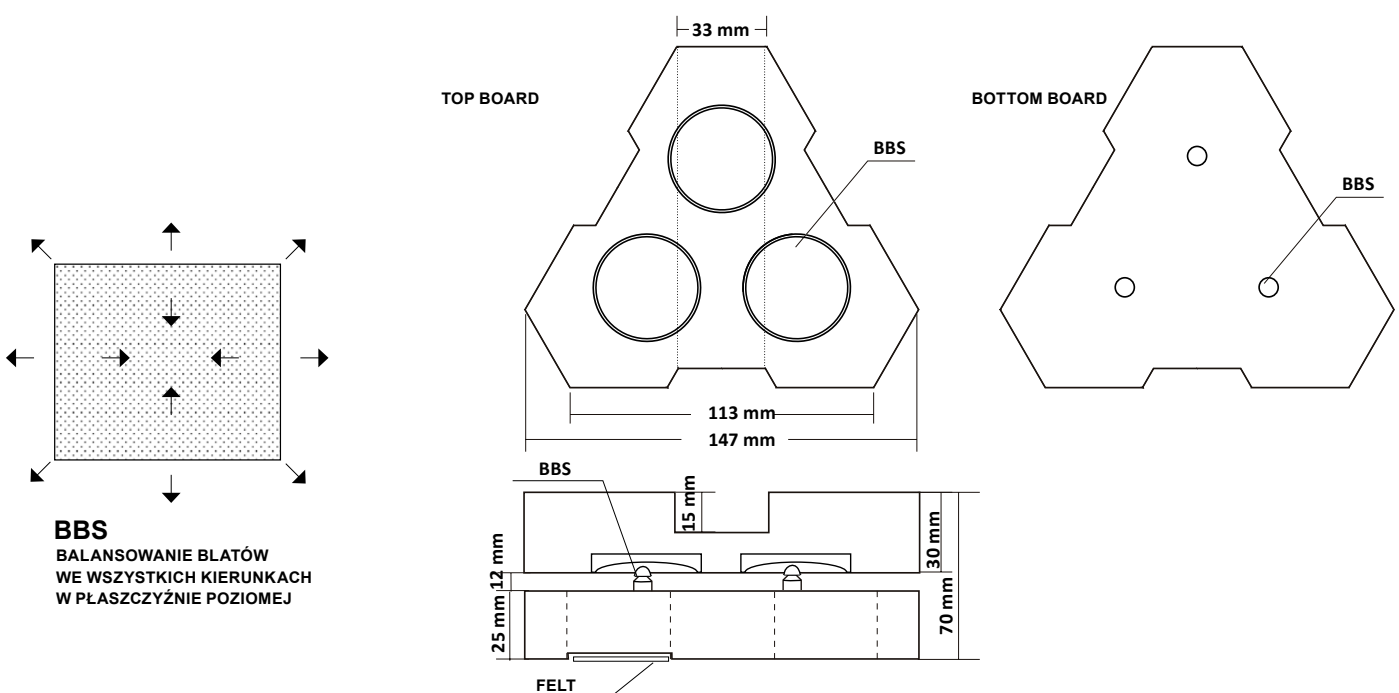
The platform is designed for high-end components. Its structure has been tuned by combining several materials: MDF, HDF, exotic wood, and steel elements (inox, A10X, NZ3), and carbon fibre.

The platform structure incorporates a new proprietary Rogoz Audio antivibration system, BBS (Balancing Board System, Patent P.404137 Pending). The system consists of a threaded, height-adjustable spike made of high-fiber-content steel alloy, on top of which two elements are placed, each with an inner bearing. An intermediary (middle) element is made of carbon fiber and supports another element, a steel bearing inserted into the shelf. Point contact between the steel spike and the carbon intermediary element prevents movement of either element relative to its axis, but it allows pendular motion. Meanwhile, the contact between the intermediary element and the bearing inserted into the shelf allows restricted rolling motion and sliding motion. Consequently, the advantages of spike point support (contact area has been minimized and kinetic energy turns into heat) have been combined with the effects of deadening vibrations owing to sliding friction and rolling resistance.

APPLICATIONS

- speaker cables;
- interconnects;
- power cables;

Depending on the circumstances (mainly on the length and type of cables), one or more platforms are used for each cable. In some situations, one platform might be sufficient for two cable types (for example, speaker and signal cables), provided they do not touch each other.



BBS
 BALANSOWANIE BLATÓW
 WE WSZYSTKICH KIERUNKACH
 W PŁASZCZYŹNIE POZIOMEJ